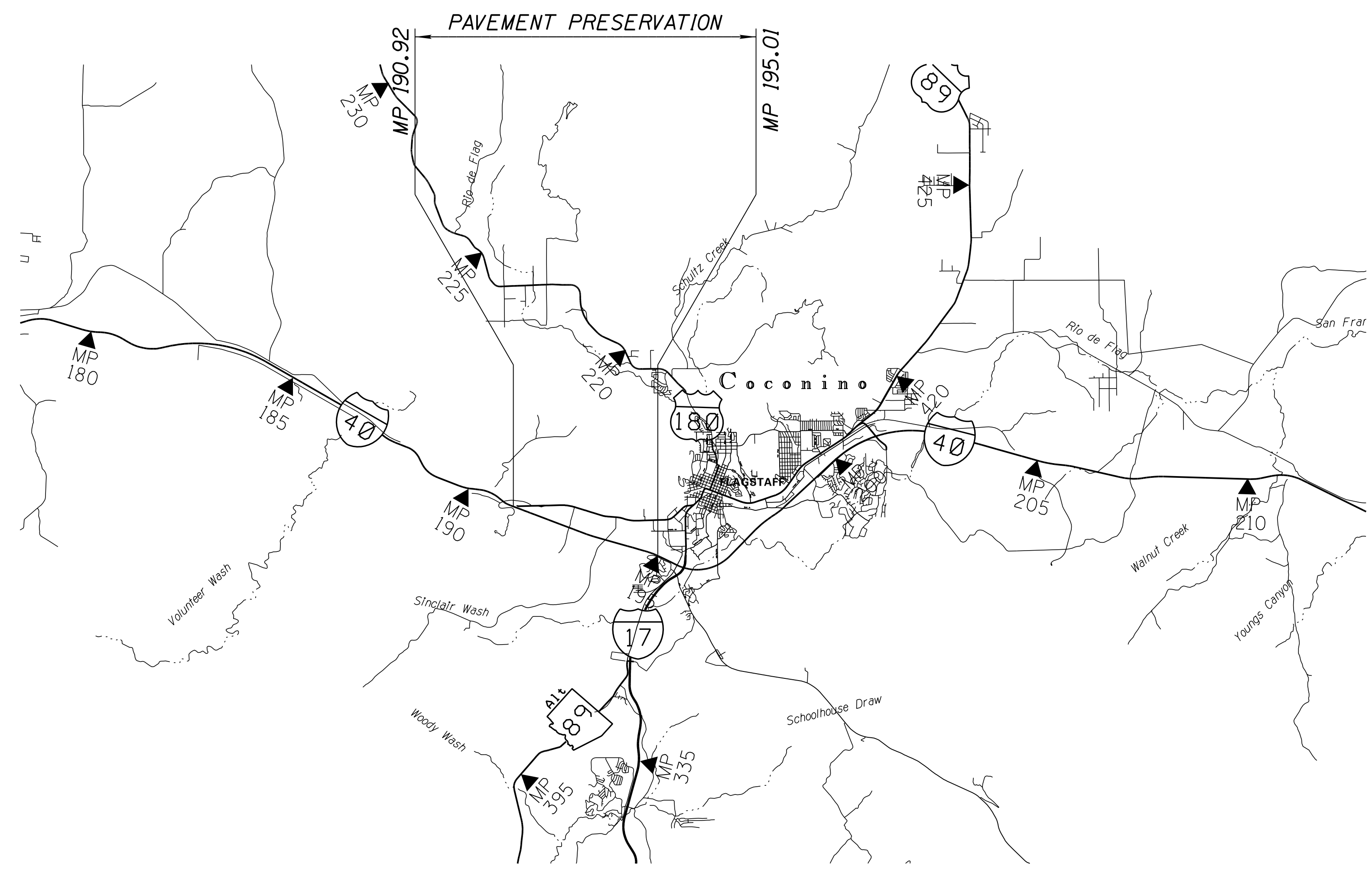
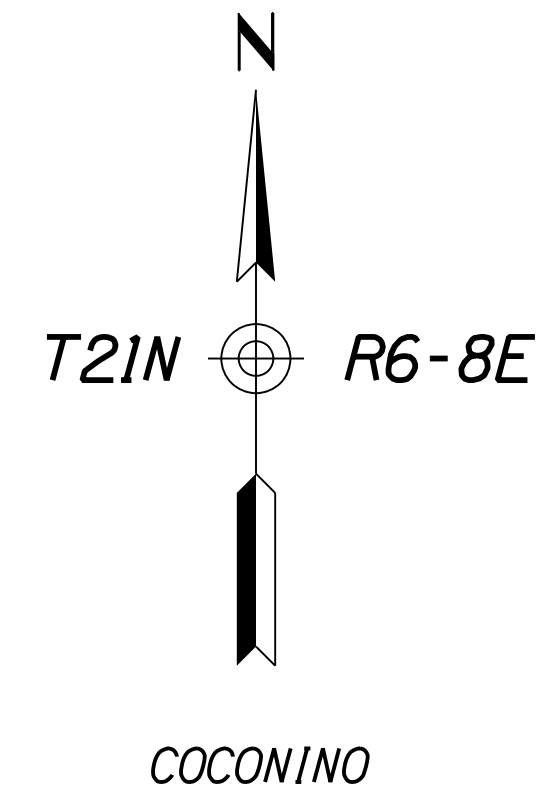


STATE OF ARIZONA  
 DEPARTMENT OF TRANSPORTATION  
 INFRASTRUCTURE DELIVERY AND OPERATIONS DIVISION



PROJECT PLANS

STATE HIGHWAY  
 ASH FORK - FLAGSTAFF HWY  
 INTERSTATE 40



Constructed by:

Construction Company \_\_\_\_\_

Completion Date \_\_\_\_\_

Red-Lines by:

Construction Administrator Name & Company \_\_\_\_\_

Completion Date \_\_\_\_\_

Record Drawings by:

Record Drawings Designer Name & Company \_\_\_\_\_

Completion Date \_\_\_\_\_

**A-1 MOUNTAIN RD TO I-17**  
**PROJECT NO. 040 CN 190 F0043 01 C**  
**FEDERAL AID NO. NHPP-040-C(222)T**

ARIZONA DEPARTMENT OF TRANSPORTATION  
 INFRASTRUCTURE DELIVERY AND OPERATIONS DIVISION  
 DALLAS HAMMIT, P.E., STATE ENGINEER

REC. DWGS. DATA	REC. DWG. DATE	_____ OF _____
--------------------	----------------	----------------

ADOT STANDARD DRAWINGS  
C STANDARDS

ISSUE OR REVISION DATE	STANDARD NO.	SUBJECT
5/12	C-01.10 SH 1	SYMBOL LEGEND
5/12	C-01.10 SH 2	SYMBOL LEGEND
5/12	C-01.10 SH 3	SYMBOL LEGEND
5/12	C-01.10 SH 4	SYMBOL LEGEND
12/17	C-01.30 SH 1	GENERAL ABBREVIATIONS
5/12	C-01.30 SH 2	GENERAL ABBREVIATIONS
5/12	C-01.30 SH 3	GENERAL ABBREVIATIONS
5/12	C-02.10	SLOPES, RURAL DIVIDED HIGHWAYS
5/12	C-02.20	SLOPES, RURAL UNDIVIDED AND FRINGE-URBAN HIGHWAYS
5/12	C-02.30	SLOPES, MISCELLANEOUS ROADWAYS
5/12	C-03.10 SH 1	DITCHES, CHANNELS, DIKES AND BERMS, DITCHES AND CHANNELS
5/12	C-03.10 SH 2	DITCHES, CHANNELS, DIKES AND BERMS, DIKES
5/12	C-03.10 SH 3	DITCHES, CHANNELS, DIKES AND BERMS, DITCH DIKE
5/12	C-03.10 SH 4	DITCHES, CHANNELS, DIKES AND BERMS, PIPE BERMS
5/12	C-03.10 SH 5	DITCHES, CHANNELS, DIKES AND BERMS, HEADWALL BERMS
12/17	C-04.10 SH 1	SPILLWAY, EMBANKMENT SINGLE INLET
12/17	C-04.10 SH 2	SPILLWAY, EMBANKMENT DOUBLE INLET
12/17	C-04.20 SH 1	DOWNDRAIN, EMBANKMENT SINGLE INLET
12/17	C-04.20 SH 2	DOWNDRAIN, EMBANKMENT DOUBLE INLET
12/17	C-04.30	SPILLWAY LENGTH TABLE
12/17	C-04.40	DOWNDRAIN LENGTH TABLE
5/12	C-04.50	DOWNDRAIN ENERGY DISSIPATOR
5/12	C-05.10	CURB & GUTTER, CURB, GUTTER
5/12	C-05.12 SH 1	CURB & GUTTER TRANSITIONS
5/12	C-05.12 SH 2	CURB & GUTTER TRANSITIONS
5/12	C-05.12 SH 3	CURB AND GUTTER TRANSITIONS
5/12	C-05.20 SH 1	CONCRETE DRIVEWAYS & SIDEWALKS, DRIVEWAYS
5/12	C-05.20 SH 2	CONCRETE DRIVEWAYS & SIDEWALKS, SIDEWALKS
5/12	C-05.30 SH 1	SIDEWALK RAMP, TYPE A
5/12	C-05.30 SH 2	SIDEWALK RAMP, TYPE B
5/12	C-05.30 SH 3	SIDEWALK RAMP, TYPE C
5/12	C-05.30 SH 4	SIDEWALK RAMP, TYPE D
5/12	C-05.30 SH 5	SIDEWALK RAMP, TYPE E
5/12	C-05.30 SH 6	SIDEWALK RAMP, TYPE F
5/12	C-05.30 SH 7	SIDEWALK RAMP, DETECTABLE WARNING STRIP
5/12	C-05.40	MEDIAN PAVING AND NOSE TAPER
5/12	C-05.50	CONCRETE BUS BAY
5/12	C-06.10 SH 1	DRIVEWAY & TURNOUT LAYOUTS
5/12	C-06.10 SH 2	DRIVEWAY & TURNOUT LAYOUTS
5/12	C-07.01 SH 1	PCCP JOINTS
5/12	C-07.01 SH 2	PCCP JOINTS
5/12	C-07.02	LOAD TRANSFER DOWEL ASSEMBLY
5/12	C-07.03 SH 1	PCCP JOINT LOCATIONS, MAINLINE SKEWED JOINTS
5/12	C-07.03 SH 2	PCCP JOINT LOCATIONS, MAINLINE SKEWED JOINTS
5/12	C-07.03 SH 3	PCCP JOINT LOCATIONS, MAINLINE SKEWED JOINTS
5/12	C-07.03 SH 4	PCCP JOINT LOCATIONS, MAINLINE SKEWED JOINTS
5/12	C-07.03 SH 5	PCCP JOINT LOCATIONS, MAINLINE NON-SKEWED JOINTS
5/12	C-07.03 SH 6	PCCP JOINT LOCATIONS, MAINLINE NON-SKEWED JOINTS
5/12	C-07.03 SH 7	PCCP JOINT LOCATIONS, MAINLINE NON-SKEWED JOINTS
5/12	C-07.03 SH 8	PCCP JOINT LOCATIONS, MAINLINE NON-SKEWED JOINTS
5/12	C-07.04 SH 1	PCCP JOINT LOCATIONS, PARALLEL-TYPE ENTRANCE RAMP WITH AUXILIARY LANE
5/12	C-07.04 SH 2	PCCP JOINT LOCATIONS, PARALLEL-TYPE EXIT RAMP WITH AUXILIARY LANE
5/12	C-07.04 SH 3	PCCP JOINT LOCATIONS, TAPER-TYPE ENTRANCE RAMP
5/12	C-07.04 SH 4	PCCP JOINT LOCATIONS, TAPER-TYPE EXIT RAMP
5/12	C-07.04 SH 5	PCCP JOINT LOCATIONS, CROSSROAD AND RAMP TERMINI
5/12	C-07.06	TRENCH BACKFILL AND PAVEMENT REPLACEMENT
5/12	C-08.20	PAVED GORE AREA
12/17	C-10.00	GUARDRAIL MEASUREMENT LIMITS
12/17	C-10.01	GUARDRAIL INSTALLATION
12/17	C-10.03	W-BEAM GUARDRAIL, MGS BLOCKED-OUT TIMBER POST
12/17	C-10.04	W-BEAM GUARDRAIL, MGS BLOCKED-OUT STEEL POST
12/17	C-10.05 SH 1	W-BEAM GUARDRAIL (MODIFIED) WITH FREEWAY CURB AND GUTTER
12/17	C-10.05 SH 2	W-BEAM GUARDRAIL (MODIFIED) WITH FREEWAY CURB AND GUTTER
12/17	C-10.06	W-BEAM GUARDRAIL LONG-SPAN
12/17	C-10.07 SH 1	W-BEAM GUARDRAIL, BOX CULVERT GUARDRAIL POST
12/17	C-10.07 SH 2	W-BEAM GUARDRAIL, BOX CULVERT GUARDRAIL POST
12/17	C-10.08 SH 1	W-BEAM GUARDRAIL, END ANCHOR
12/17	C-10.08 SH 2	W-BEAM GUARDRAIL, END ANCHOR
12/17	C-10.09	GUARDRAIL POST ROCK INSTALLATION
12/17	C-10.20 SH 1	GUARDRAIL END TERMINAL PAD LAYOUT FOR SOFTSTOP
12/17	C-10.20 SH 2	GUARDRAIL END TERMINAL PAD LAYOUT FOR SOFTSTOP
12/17	C-10.21 SH 1	GUARDRAIL END TERMINAL PAD LAYOUT FOR MSKT
12/17	C-10.21 SH 2	GUARDRAIL END TERMINAL PAD LAYOUT FOR MSKT
2/18	C-10.22 SH 1	GUARDRAIL END TERMINAL PAD LAYOUT FOR MAX-TENSION
2/18	C-10.22 SH 2	GUARDRAIL END TERMINAL PAD LAYOUT FOR MAX-TENSION
12/17	C-10.30 SH 1	GUARDRAIL TRANSITION TO CONCRETE BARRIER, TIMBER POST
12/17	C-10.30 SH 2	GUARDRAIL TRANSITION TO CONCRETE BARRIER, TIMBER POST
12/17	C-10.31 SH 1	GUARDRAIL TRANSITION TO CONCRETE BARRIER, STEEL POST
12/17	C-10.31 SH 2	GUARDRAIL TRANSITION TO CONCRETE BARRIER, STEEL POST
12/17	C-10.38 SH 1	GUARDRAIL TAPER G4 TO MGS W-BEAM WITH STAGGERED POST
12/17	C-10.38 SH 2	GUARDRAIL TAPER G4 TO MGS W-BEAM WITH OFFSET RAIL
12/17	C-10.40	CONCRETE MEDIAN BARRIER, 32" TYPE 'F', CAST-IN-PLACE
12/17	C-10.41	CONCRETE MEDIAN BARRIER, 42" TYPE 'F', CAST-IN-PLACE
12/17	C-10.44 SH 1	CONCRETE MEDIAN BARRIER, 42" TYPE 'F' WITH VARIABLE HEIGHT SIDES, H=0° TO 26°
12/17	C-10.44 SH 2	CONCRETE MEDIAN BARRIER, 42" TYPE 'F' WITH VARIABLE HEIGHT SIDES, H=0° TO 26°
12/17	C-10.45 SH 1	CONCRETE MEDIAN BARRIER, 42" TYPE 'F' WITH VARIABLE HEIGHT SIDES, H=26° TO 60°
12/17	C-10.45 SH 2	CONCRETE MEDIAN BARRIER, 42" TYPE 'F' WITH VARIABLE HEIGHT SIDES, H=26° TO 60°
12/17	C-10.50 SH 1	CONCRETE HALF BARRIER, 32" TYPE 'F', CAST-IN-PLACE
12/17	C-10.50 SH 2	CONCRETE HALF BARRIER, 32" TYPE 'F', PRECAST
12/17	C-10.51	CONCRETE HALF BARRIER, 32" TYPE 'F' WITH SIDEWALK
12/17	C-10.52	CONCRETE HALF BARRIER, 32" TYPE 'F' WITH GUTTER
12/17	C-10.53	CONCRETE HALF BARRIER, 42" TYPE 'F' WITH GUTTER

ISSUE OR REVISION DATE	STANDARD NO.	SUBJECT
12/17	C-10.54 SH 1	CONCRETE HALF BARRIER, 32" TYPE 'F' AT PIERS, CAST-IN-PLACE
12/17	C-10.54 SH 2	CONCRETE HALF BARRIER, 32" TYPE 'F' AT PIERS, PRECAST
12/17	C-10.54 SH 3	CONCRETE HALF BARRIER, 32" TYPE 'F' AT PIERS, LAYOUT
12/17	C-10.55 SH 1	CONCRETE HALF BARRIER, 42" TYPE 'F' AT PIERS, CAST-IN-PLACE
12/17	C-10.55 SH 2	CONCRETE HALF BARRIER, 42" TYPE 'F' AT PIERS, PRECAST
12/17	C-10.55 SH 3	CONCRETE HALF BARRIER, 42" TYPE 'F' AT PIERS, LAYOUT
12/17	C-10.70 SH 1	CONCRETE HALF-BARRIER TRANSITION TO VERTICAL, 32" TYPE 'F' WITH CAISSONS
12/17	C-10.70 SH 2	CONCRETE HALF-BARRIER TRANSITION TO VERTICAL, 32" TYPE 'F' WITH CAISSONS
12/17	C-10.70 SH 3	CONCRETE HALF-BARRIER TRANSITION TO VERTICAL, 32" TYPE 'F' WITH CAISSONS
12/17	C-10.71 SH 1	CONCRETE HALF-BARRIER TRANSITION TO VERTICAL, 32" TYPE 'F' WITH CURB & GUTTER
12/17	C-10.71 SH 2	CONCRETE HALF-BARRIER TRANSITION TO VERTICAL, 32" TYPE 'F' WITH CURB & GUTTER
12/17	C-10.72 SH 1	CONCRETE HALF-BARRIER TRANSITION TO VERTICAL, 42" TO 32" TYPE 'F' WITH CAISSONS
12/17	C-10.72 SH 2	CONCRETE HALF-BARRIER TRANSITION TO VERTICAL, 42" TO 32" TYPE 'F' WITH CAISSONS
12/17	C-10.72 SH 3	CONCRETE HALF-BARRIER TRANSITION TO VERTICAL, 42" TO 32" TYPE 'F' WITH CAISSONS
12/17	C-10.73 SH 1	CONCRETE HALF-BARRIER TRANSITION TO VERTICAL, 42" TO 32" TYPE 'F' WITH GUTTER
12/17	C-10.73 SH 2	CONCRETE HALF-BARRIER TRANSITION TO VERTICAL, 42" TO 32" TYPE 'F' WITH GUTTER
12/17	C-10.74	CONCRETE HALF-BARRIER TRANSITION, 42" TO 32" TYPE 'F'
12/17	C-10.75 SH 1	CONCRETE HALF-BARRIER TRANSITION, TYPE 'F' TANGENT DEPARTURE TYPE 1
12/17	C-10.75 SH 2	CONCRETE HALF-BARRIER TRANSITION, TYPE 'F' TANGENT DEPARTURE TYPE 2
12/17	C-10.76	CONCRETE HALF-BARRIER TRANSITION, TYPE 'F' AT RADIUS, 32" TO 0"
12/17	C-10.77	CONCRETE BARRIER TRANSITION TO GUARDRAIL END TERMINAL LAYOUT WITH CURB
12/17	C-10.78	CONCRETE HALF-BARRIER TRANSITION, 32" TYPE 'F' LOW SPEED APPROACH
12/17	C-10.79	CONCRETE HALF-BARRIER TRANSITION, 42" TYPE 'F' TANGENT DEPARTURE
5/12	C-11.10 SH 1	ROADWAY CATTLE GUARD
5/12	C-11.10 SH 2	ROADWAY CATTLE GUARD
5/12	C-11.10 SH 3	ROADWAY CATTLE GUARD
5/12	C-11.10 SH 4	ROADWAY CATTLE GUARD
5/12	C-11.20	CATTLE GUARD, DRAINAGE
5/12	C-12.10 SH 1	FENCE, WOVEN WIRE
5/12	C-12.10 SH 2	FENCE, BARBED WIRE
5/12	C-12.10 SH 3	FENCE, TYPE 1 AND 2 GATES, FLOOD GATE
5/12	C-12.10 SH 4	FENCE, FLOOD GATE INSTALLATION
5/12	C-12.10 SH 5	FENCE, MISCELLANEOUS DETAILS
5/12	C-12.20 SH 1	FENCE, CHAIN LINK, TYPE 1
5/12	C-12.20 SH 2	FENCE, CHAIN LINK, TYPE 2
5/12	C-12.20 SH 3	FENCE, CHAIN LINK, GATES
5/12	C-12.30 SH 1	FENCE, CHAIN LINK CABLE BARRIER
5/12	C-12.30 SH 2	FENCE, CHAIN LINK CABLE BARRIER
5/12	C-12.30 SH 3	FENCE, CHAIN LINK CABLE BARRIER
5/12	C-13.10 SH 1	PIPE CULVERT INSTALLATION
5/12	C-13.10 SH 2	PIPE CULVERT INSTALLATION
5/12	C-13.15	TYPICAL PIPE INSTALLATION
5/12	C-13.20	PIPE, REINFORCED CONCRETE END SECTION
5/12	C-13.25	PIPE, CORRUGATED METAL END SECTION
5/12	C-13.30	PIPE AND PIPE ARCH, CORRUGATED METAL, CONCRETE INVERT PAVING
5/12	C-13.50	PIPE, CATTLE-VEHICLE PASS, MITERED END TREATMENT
5/12	C-13.60	SLOTTED DRAIN DETAILS
5/12	C-13.65	SLOTTED DRAIN INSTALLATION DETAILS
5/12	C-13.70	STORM DRAIN CONNECTION DETAILS
5/12	C-13.75	STORM DRAIN OUTLET BARRIER GATE
5/12	C-13.76	STORM DRAIN OUTLET AND STORM DRAIN PLUG
5/12	C-13.80	PIPE COLLAR DETAILS
5/12	C-15.10	CATCH BASIN, TYPE 1
5/12	C-15.20 SH 1	CATCH BASIN, TYPE 3
5/12	C-15.20 SH 2	CATCH BASIN, TYPE 3
5/12	C-15.20 SH 3	CATCH BASIN, ACCESS FRAME AND COVER DETAILS
5/12	C-15.30	CATCH BASIN, TYPE 4
5/12	C-15.40 SH 1	CATCH BASIN, TYPE 5
5/12	C-15.40 SH 2	CATCH BASIN, TYPE 5
5/12	C-15.50	CATCH BASIN, FRAME AND GRATE
5/12	C-15.70 SH 1	CATCH BASIN, MISCELLANEOUS DETAILS
5/12	C-15.70 SH 2	CATCH BASIN, MISCELLANEOUS DETAILS
5/12	C-15.75	CATCH BASIN, DROP INLET
5/12	C-15.80	CATCH BASIN, FLUSH
5/12	C-15.81	CATCH BASIN, SIDE SLOPE
5/12	C-15.90	CATCH BASIN, MEDIAN DIKE, PRECAST
5/12	C-15.91 SH 1	FREEWAY CATCH BASIN DETAILS
5/12	C-15.91 SH 2	FREEWAY CATCH BASIN DETAILS
5/12	C-15.92 SH 1	CATCH BASIN WITH TYPE 'F' CONCRETE HALF BARRIER
5/12	C-15.92 SH 2	CATCH BASIN WITH TYPE 'F' CONCRETE HALF BARRIER
5/12	C-16.40	IRRIGATION SLEEVES
5/12	C-17.10	RAIL BANK PROTECTION FOR DRAINAGEWAYS, TYPES 1, 2 & 3
5/12	C-17.15	RAIL BANK PROTECTION AT ABUTMENTS, TYPES 4, 5 & 6
5/12	C-17.20	RAIL BANK PROTECTION FOR DRAINAGEWAYS, TYPES 7, 8 & 9
5/12	C-18.10 SH 1	MANHOLE, RISER DETAILS
5/12	C-18.10 SH 2	MANHOLE, BASE DETAILS, NORMAL INSTALLATION
5/12	C-18.10 SH 3	MANHOLE, FRAME AND COVER DETAILS
5/12	C-19.10 SH 1	FORD, CONCRETE WALLS
5/12	C-19.10 SH 2	FORD, TYPES 1 AND 2
5/12	C-21.10	SURVEY MONUMENT FRAME AND COVER
5/12	C-21.20	SURVEY MARKER

REV.: 02/18

NORMAL.TBL

ADOT STANDARD DRAWINGS		
REVISION DATES and STANDARD NO.'s REVIEW		
CONSTRUCTION Standards	NAME ELIZABETH WEIL	DATE 01/25/19
PROJECT NO. 40 CN 190 F 0043 01 C	JA OF 4	
RECORD DRAWING DATA	FEDERAL AID NO. 040-C(222)T	REC. DWG. DATE OF

**ADOT STANDARD DRAWINGS**  
 TRAFFIC SIGNING & MARKING STANDARDS  
 (SHEET 1 OF 2)  
 EFFECTIVE SEPTEMBER 2018

**SUBJECT:**

REVISION	STANDARD	SIGNING & MARKING DETAILS
6/14	M-1	CURB MARKINGS FOR RAISED MEDIAN AND ISLANDS
6/14	M-2 SHT 1	INTERSECTION STRIPING
5/15	M-2 SHT 2	INTERSECTION STRIPING (TWO-LANE RURAL)
6/14	M-2 SHT 3	CENTERLINE & REVERSE CURVE DETAILS
6/14	M-3	STRIPING AND DELINEATION FOR FREEWAY TERMINALS
6/14	M-4	PASSING LANE STRIPING DETAILS
6/14	M-5	RAILROAD PAVEMENT MARKINGS
6/14	M-6	WORD MARKINGS
6/14	M-7	PAVEMENT LETTERS
6/14	M-8	PAVEMENT LETTERS
6/14	M-9	PAVEMENT NUMBERS
6/14	M-10 SHT 1	PAVEMENT MARKING SYMBOLS
6/14	M-10 SHT 2	PAVEMENT MARKING SYMBOLS
6/14	M-11	TURN LANE PAVEMENT MARKINGS
6/14	M-12	WRONG-WAY ARROWS
6/14	M-13	PREFERENTIAL LANE PAVEMENT MARKINGS
6/14	M-14	STRIPING AND DELINEATION FOR TRUCK ESCAPE RAMPS
6/14	M-15 SHT 1	PAVEMENT MARKING FOR FREEWAY ENTRANCE RAMP - TAPERED ACCELERATION LANE
6/14	M-15 SHT 2	PAVEMENT MARKING FOR FREEWAY ENTRANCE RAMP - PARALLEL ACCELERATION LANE
6/14	M-15 SHT 3	PAVEMENT MARKING FOR FREEWAY ENTRANCE RAMP - PARALLEL ACCELERATION LANE WITH HOV BYPASS
6/14	M-15 SHT 4	PAVEMENT MARKING FOR FREEWAY PARALLEL - ACCELERATION LANE
6/14	M-16 SHT 1	PAVEMENT MARKING FOR FREEWAY EXIT RAMPS - TAPERED DECELERATION LANE
6/14	M-16 SHT 2	PAVEMENT MARKING FOR FREEWAY EXIT RAMP - PARALLEL DECELERATION LANE
5/15	M-17	FREEWAY LANE DROP PAVEMENT MARKINGS
6/14	M-18	RECESSED PAVEMENT MARKER DETAILS
6/14	M-19 SHT 1	RAISED PAVEMENT MARKER PLAN LEGEND
6/14	M-19 SHT 2	NON-REFLECTIVE RAISED PAVEMENT MARKER DETAILS
6/14	M-19 SHT 3	RETROREFLECTIVE RAISED PAVEMENT MARKER DETAILS
6/14	M-19 SHT 4	RETROREFLECTIVE RAISED PAVEMENT MARKER DETAILS
5/15	M-19 SHT 5	PAVEMENT MARKING DETAILS FOR UNDIVIDED HIGHWAYS
6/14	M-19 SHT 6	RETROREFLECTIVE RAISED PAVEMENT MARKERS (RPM) FOR UNDIVIDED HIGHWAYS
6/14	M-19 SHT 7	FREEWAY AND DIVIDED HIGHWAY EDGE LINE AND LANE STRIPING
5/15	M-19 SHT 8	LANE DROP MARKING AND RAMP OR INTERSECTION GUIDE STRIPING
6/14	M-19 SHT 9	PAVEMENT MARKING CROSS-SECTION DETAILS FOR HIGHWAYS AND FREEWAYS

**SUBJECT:**

REVISION	STANDARD	SIGNING & MARKING DETAILS
6/14	M-20 SHT 1	CHIP SEAL MARKER USAGE FOR TEMPORARY MARKERS
6/14	M-20 SHT 2	CHIP SEAL MARKER USAGE FOR TEMPORARY MARKERS
6/14	M-21	TRANSVERSE RUMBLE STRIP DETAILS
6/14	M-22 SHT 1	LONGITUDINAL RUMBLE STRIP GROOVE, PATTERN - AND LOCATION DETAILS
6/14	M-22 SHT 2	LONGITUDINAL RUMBLE STRIP EXCEPTION DETAILS
6/14	M-22 SHT 3	CENTERLINE RUMBLE STRIP GROOVE, PATTERN - AND LOCATION DETAILS
6/14	M-23	OBJECT MARKER DETAILS
6/14	M-24	OBJECT MARKER PLACEMENT DETAILS
6/14	M-26 SHT 1	DELINEATOR PLACEMENT AND SPACING
6/14	M-26 SHT 2	DELINEATOR PLACEMENT AND SPACING
6/14	M-26 SHT 3	FLEXIBLE DELINEATOR ASSEMBLIES
6/14	M-26 SHT 4	SQUARE STEEL POST DELINEATOR
6/14	M-26 SHT 5	DELINEATOR FOUNDATION DETAILS
6/14	M-27	DELINEATION DETAILS FOR MEDIAN CROSSOVERS
6/14	M-29	OFF-MAINLINE REFERENCE MARKER LOCATION DETAIL
6/14	M-30	OFF-MAINLINE REFERENCE MARKER DETAILS
6/14	M-32	BRIDGE AND BARRIER MARKER DETAILS
6/14	M-33	BRIDGE & BARRIER MARKER PLACEMENT AND INSTALLATION DETAILS
6/14	M-34	GUARDRAIL END TERMINAL DELINEATION DETAILS
6/14	M-35	OBJECT MARKER FOR SAND BARREL CRASH CUSHION

NO.1 DESCRIPTION OF REVISION REVISED BY DATE NO.2 DESCRIPTION OF REVISION REVISED BY DATE NO.3 DESCRIPTION OF REVISION REVISED BY DATE NO.4 DESCRIPTION OF REVISION REVISED BY DATE NO.5 DESCRIPTION OF REVISION REVISED BY DATE NO.6 DESCRIPTION OF REVISION REVISED BY DATE NO.7 DESCRIPTION OF REVISION REVISED BY DATE NO.8 DESCRIPTION OF REVISION REVISED BY DATE NO.9 DESCRIPTION OF REVISION REVISED BY DATE NO.10 DESCRIPTION OF REVISION REVISED BY DATE NO.11 DESCRIPTION OF REVISION REVISED BY DATE NO.12 DESCRIPTION OF REVISION REVISED BY DATE NO.13 DESCRIPTION OF REVISION REVISED BY DATE NO.14 DESCRIPTION OF REVISION REVISED BY DATE NO.15 DESCRIPTION OF REVISION REVISED BY DATE NO.16 DESCRIPTION OF REVISION REVISED BY DATE NO.17 DESCRIPTION OF REVISION REVISED BY DATE NO.18 DESCRIPTION OF REVISION REVISED BY DATE NO.19 DESCRIPTION OF REVISION REVISED BY DATE NO.20 DESCRIPTION OF REVISION REVISED BY DATE NO.21 DESCRIPTION OF REVISION REVISED BY DATE NO.22 DESCRIPTION OF REVISION REVISED BY DATE NO.23 DESCRIPTION OF REVISION REVISED BY DATE NO.24 DESCRIPTION OF REVISION REVISED BY DATE NO.25 DESCRIPTION OF REVISION REVISED BY DATE NO.26 DESCRIPTION OF REVISION REVISED BY DATE NO.27 DESCRIPTION OF REVISION REVISED BY DATE NO.28 DESCRIPTION OF REVISION REVISED BY DATE NO.29 DESCRIPTION OF REVISION REVISED BY DATE NO.30 DESCRIPTION OF REVISION REVISED BY DATE NO.31 DESCRIPTION OF REVISION REVISED BY DATE NO.32 DESCRIPTION OF REVISION REVISED BY DATE NO.33 DESCRIPTION OF REVISION REVISED BY DATE NO.34 DESCRIPTION OF REVISION REVISED BY DATE NO.35 DESCRIPTION OF REVISION REVISED BY DATE NO.36 DESCRIPTION OF REVISION REVISED BY DATE NO.37 DESCRIPTION OF REVISION REVISED BY DATE NO.38 DESCRIPTION OF REVISION REVISED BY DATE NO.39 DESCRIPTION OF REVISION REVISED BY DATE NO.40 DESCRIPTION OF REVISION REVISED BY DATE NO.41 DESCRIPTION OF REVISION REVISED BY DATE NO.42 DESCRIPTION OF REVISION REVISED BY DATE NO.43 DESCRIPTION OF REVISION REVISED BY DATE NO.44 DESCRIPTION OF REVISION REVISED BY DATE NO.45 DESCRIPTION OF REVISION REVISED BY DATE NO.46 DESCRIPTION OF REVISION REVISED BY DATE NO.47 DESCRIPTION OF REVISION REVISED BY DATE NO.48 DESCRIPTION OF REVISION REVISED BY DATE NO.49 DESCRIPTION OF REVISION REVISED BY DATE NO.50 DESCRIPTION OF REVISION REVISED BY DATE NO.51 DESCRIPTION OF REVISION REVISED BY DATE NO.52 DESCRIPTION OF REVISION REVISED BY DATE NO.53 DESCRIPTION OF REVISION REVISED BY DATE NO.54 DESCRIPTION OF REVISION REVISED BY DATE NO.55 DESCRIPTION OF REVISION REVISED BY DATE NO.56 DESCRIPTION OF REVISION REVISED BY DATE NO.57 DESCRIPTION OF REVISION REVISED BY DATE NO.58 DESCRIPTION OF REVISION REVISED BY DATE NO.59 DESCRIPTION OF REVISION REVISED BY DATE NO.60 DESCRIPTION OF REVISION REVISED BY DATE NO.61 DESCRIPTION OF REVISION REVISED BY DATE NO.62 DESCRIPTION OF REVISION REVISED BY DATE NO.63 DESCRIPTION OF REVISION REVISED BY DATE NO.64 DESCRIPTION OF REVISION REVISED BY DATE NO.65 DESCRIPTION OF REVISION REVISED BY DATE NO.66 DESCRIPTION OF REVISION REVISED BY DATE NO.67 DESCRIPTION OF REVISION REVISED BY DATE NO.68 DESCRIPTION OF REVISION REVISED BY DATE NO.69 DESCRIPTION OF REVISION REVISED BY DATE NO.70 DESCRIPTION OF REVISION REVISED BY DATE NO.71 DESCRIPTION OF REVISION REVISED BY DATE NO.72 DESCRIPTION OF REVISION REVISED BY DATE NO.73 DESCRIPTION OF REVISION REVISED BY DATE NO.74 DESCRIPTION OF REVISION REVISED BY DATE NO.75 DESCRIPTION OF REVISION REVISED BY DATE NO.76 DESCRIPTION OF REVISION REVISED BY DATE NO.77 DESCRIPTION OF REVISION REVISED BY DATE NO.78 DESCRIPTION OF REVISION REVISED BY DATE NO.79 DESCRIPTION OF REVISION REVISED BY DATE NO.80 DESCRIPTION OF REVISION REVISED BY DATE NO.81 DESCRIPTION OF REVISION REVISED BY DATE NO.82 DESCRIPTION OF REVISION REVISED BY DATE NO.83 DESCRIPTION OF REVISION REVISED BY DATE NO.84 DESCRIPTION OF REVISION REVISED BY DATE NO.85 DESCRIPTION OF REVISION REVISED BY DATE NO.86 DESCRIPTION OF REVISION REVISED BY DATE NO.87 DESCRIPTION OF REVISION REVISED BY DATE NO.88 DESCRIPTION OF REVISION REVISED BY DATE NO.89 DESCRIPTION OF REVISION REVISED BY DATE NO.90 DESCRIPTION OF REVISION REVISED BY DATE NO.91 DESCRIPTION OF REVISION REVISED BY DATE NO.92 DESCRIPTION OF REVISION REVISED BY DATE NO.93 DESCRIPTION OF REVISION REVISED BY DATE NO.94 DESCRIPTION OF REVISION REVISED BY DATE NO.95 DESCRIPTION OF REVISION REVISED BY DATE NO.96 DESCRIPTION OF REVISION REVISED BY DATE NO.97 DESCRIPTION OF REVISION REVISED BY DATE NO.98 DESCRIPTION OF REVISION REVISED BY DATE NO.99 DESCRIPTION OF REVISION REVISED BY DATE NO.100 DESCRIPTION OF REVISION REVISED BY DATE

ADOT STANDARD DRAWINGS		
REVISION DATES and STANDARD NO.'s REVIEW		
SIGNING & MARKING STANDARDS	NAME	DATE
	Muhammad G. Saleque	01/24/2019
PROJECT NO.	O40 CN 190 F0043 01C	
	IB-1	OF 4
RECORD DRAWING DATA	FEDERAL AID NO. 040-C(222)T	REC. DWG. DATE

**ADOT STANDARD DRAWINGS**  
 TRAFFIC SIGNING & MARKING STANDARDS  
 (SHEET 2 OF 2)  
 EFFECTIVE SEPTEMBER 2018

**SUBJECT:**

REVISION	STANDARD	SIGNING & MARKING DETAILS
6/14	S-1 SHT 1	GENERAL SIGNING NOTES
6/14	S-2 SHT 1	S & W BREAKAWAY POST SELECTION CHART
6/14	S-2 SHT 2	S & W BREAKAWAY POST INSTALLATION DETAILS
6/14	S-3 SHT 1	FLAT SHEET SIGNS SQUARE TUBE POST GENERAL NOTES
6/14	S-3 SHT 2	SINGLE POST FLAT SHEET RECTANGULAR SIGN ASSEMBLY - 12, 18 AND 24 INCH WIDTHS
6/14	S-3 SHT 3	SINGLE POST FLAT SHEET RECTANGULAR SIGN ASSEMBLY - 30, 36, 42 AND 54 INCH WIDTHS
6/14	S-3 SHT 4	TWO POST FLAT SHEET RECTANGULAR SIGN ASSEMBLY - 36, 42 AND 48 INCH WIDTHS
6/14	S-3 SHT 5	TWO POST FLAT SHEET RECTANGULAR SIGN ASSEMBLY - 54, 60 AND 72 INCH WIDTHS
6/14	S-3 SHT 6	TWO POST FLAT SHEET RECTANGULAR SIGN ASSEMBLY - 84 - 144 INCH WIDTHS
6/14	S-3 SHT 7	THREE POST FLAT SHEET RECTANGULAR SIGN ASSEMBLY - 48, 60 AND 72 INCH WIDTHS
6/14	S-3 SHT 8	THREE POST FLAT SHEET RECTANGULAR SIGN ASSEMBLY - 84 - 144 INCH WIDTHS
6/14	S-3 SHT 9	WARNING SIGN ASSEMBLY - SINGLE POST
6/14	S-3 SHT 10	WARNING SIGN ASSEMBLY - TWO POST
6/14	S-3 SHT 11	WARNING SIGN ASSEMBLY - THREE POST
6/14	S-3 SHT 12	MULTIPLE ROUTE MARKER ASSEMBLIES
6/14	S-3 SHT 13	SPECIAL SIGN ASSEMBLIES
6/14	S-3 SHT 14	STRINGER DETAILS FOR SQUARE TUBE POSTS
6/14	S-3 SHT 15	SQUARE TUBE SIGN POST FOUNDATION
6/14	S-3 SHT 16	SQUARE TUBE POST SLIP BASE DETAILS
6/14	S-4	W SHAPE BREAKAWAY POST FUSE PLATE AND HINGE DETAILS
6/14	S-5	W SHAPE BREAKAWAY POST DETAILS
6/14	S-6	S4x7.7 BREAKAWAY POST DETAILS
6/14	S-7 SHT 1	ALUMINUM EXTRUSION SIGN PANEL DETAILS
6/14	S-7 SHT 2	ALUMINUM EXTRUSION AUXILIARY SIGN INSTALLATION DETAILS
5/15	S-7 SHT 3	ALUMINUM EXTRUSION EXIT PANEL INSTALLATION DETAIL
6/14	S-8 SHT 1	FLAT SHEET ALUMINUM PANEL ON BREAKAWAY POSTS INSTALLATION DETAIL
6/14	S-8 SHT 2	ALUMINUM EXTRUSION SIGN TO PERFORATED POSTS INSTALLATION DETAIL
6/14	S-9 SHT 1	SIGN INSTALLATION ON POLE
6/14	S-9 SHT 2	SIGN INSTALLATION ON SIGNAL POLE
9/18	S-9 SHT 3	SIGN INSTALLATION ON POLE BAND-TYPE CLAMP
6/14	S-10	MILEPOST AND REFERENCE LOCATION SIGNS
6/14	S-11 SHT 1	TAPERED TUBE SIGN STRUCTURE CANTILEVER
6/14	S-11 SHT 2	TAPERED TUBE SIGN STRUCTURE CANTILEVER POST AND MAST ARM DETAILS
6/14	S-11 SHT 3	TAPERED TUBE SIGN STRUCTURE SINGLE BEAM
6/14	S-11 SHT 4	TAPERED TUBE SIGN STRUCTURE SINGLE BEAM POST AND BEAM DETAILS

**SUBJECT:**

REVISION	STANDARD	SIGNING & MARKING DETAILS
6/14	S-12 SHT 1	TYPE A, B, AND DOWN ARROWS
6/14	S-12 SHT 2	TYPE C AND D ARROWS
6/14	S-12 SHT 3	C2 ARROW DETAIL
6/14	S-13	SIGN IDENTIFICATION DETAILS
6/14	S-14 SHT 1	ROTATING OPEN/CLOSED SIGN
6/14	S-14 SHT 2	ROTATING OPEN/CLOSED SIGN DETAILS
6/14	S-14 SHT 3	ROTATING OPEN/CLOSED SIGN MOUNTING DETAILS
6/14	S-15 SHT 1	FOLDING RECTANGULAR SIGN ASSEMBLY
6/14	S-15 SHT 2	FOLDING RECTANGULAR SIGN OPERATION
6/14	S-15 SHT 3	FOLDING DIAMOND SIGN ASSEMBLY
6/14	S-16 SHT 1	TEMPORARY WOOD POSTS
6/14	S-16 SHT 2	TEMPORARY WOOD POSTS SELECTION CHART
6/14	S-17	END OF ROAD BARRICADE
6/14	C-1	SAND BARREL CRASH CUSHION
6/14	C-2	SAND BARREL CRASH CUSHION TYPICAL INSTALLATION
6/14	C-3 SHT 1	PRECAST CONCRETE BARRIER STRUCTURAL DETAILS
6/14	C-3 SHT 2	PRECAST CONCRETE BARRIER PIN AND LOOP ASSEMBLY
6/14	C-4 SHT 1	MEDIAN CROSSOVER
6/14	C-4 SHT 2	TYPICAL END TREATMENTS FOR DETOURS USING TEMPORARY CONCRETE BARRIER (TCB)
6/14	C-5 SHT 1	APPROACH PLATE AND TRANSITION SECTION FOR TEMPORARY CONCRETE BARRIER
6/14	C-5 SHT 2	APPROACH PLATE AND TRANSITION SECTION FOR TEMPORARY CONCRETE BARRIER

NO.1 | DESCRIPTION OF REVISION REVISED 5/7 SHT. REVISED M-2 SHT2, WHT, MHP SHTS SAB ON PCL. UPDATED BORDER TITLE BLOCK. MADE BY: L. LOPEZ DATE: 5/15  
 NO.2 | DESCRIPTION OF REVISION REVISED 5-9 SHT3. MADE BY: L. LOPEZ DATE: 9/18

ADOT STANDARD DRAWINGS		
REVISION DATES and STANDARD NO.'s REVIEW		
NAME	DATE	
SIGNING & MARKING STANDARDS	Muhammad G. Saleque	01/24/2019
PROJECT NO.	040 CN 190 F0043 01C	1B-2 OF 4
RECORD DRAWING DATA	FEDERAL AID NO. 040-C(222)T	REC. DWG. DATE _____ OF _____

**ADOT STANDARD DRAWINGS**  
**TRAFFIC SIGNAL AND LIGHTING STANDARDS**  
(SHEET 1 OF 2)  
EFFECTIVE MAY 2015

NO.1 | DESCRIPTION OF REVISION | REVISED STDS | 1-2, 1-11, 2-7, 4-22, 5-0, 6-4, MADE BY | L. LOPEZ | DATE | 03/15 | NO.2 | DESCRIPTION OF REVISION | REVISED TS | 0-1, UPDATED BORDER TITLE BLOCK, MADE BY | L. LOPEZ | DATE | 05/15

REVISION DATE	STANDARD NUMBER	SUBJECT:
	<b>T. S. 0</b>	<b>TRAFFIC SIGNALS AND LIGHTING DETAILS</b>
		<b>ABBREVIATIONS, SYMBOLS AND DEFINITIONS</b>
05/15	0-1	STANDARD ABBREVIATIONS
01/12	0-2 SHT 1	PLAN SYMBOLS
01/12	0-2 SHT 2	PLAN SYMBOLS
01/12	0-2 SHT 3	PLAN SYMBOLS
03/10	0-3 SHT 1	STANDARD DEFINITIONS
03/10	0-3 SHT 2	STANDARD DEFINITIONS
03/10	0-4	REFERENCE DOCUMENTS AND GENERAL REQUIREMENTS
	<b>T. S. 1</b>	<b>PULL BOXES</b>
09/11	1-1 SHT 1	LIGHT DUTY - LIGHT WEIGHT NO. 5 AND NO. 7 PULL BOX
09/11	1-1 SHT 2	LIGHT DUTY - LIGHT WEIGHT NO. 5 AND NO. 7 SLOPE WALL BODY PULL BOX DETAILS
03/15	1-2	HEAVY DUTY NO. 5 AND NO. 7 STRAIGHT BODY WALL PULL BOX DETAILS
09/11	1-3	REPLACEMENT LID SIZING FOR EXISTING NO. 5 AND NO. 7 PULL BOXES
09/11	1-4 SHT 1	TYPICAL PULL BOX INSTALLATION AND WIRING DETAILS
09/11	1-4 SHT 2	TYPICAL PULL BOX INSTALLATION AND WIRING DETAILS
09/11	1-4 SHT 3	TYPICAL PULL BOX INSTALLATION DETAILS
09/11	1-5 SHT 1	ELECTRICAL CONDUIT COVER AND TRENCH REQUIREMENTS
09/11	1-5 SHT 2	CONDUIT EXPANSION COUPLINGS
09/11	1-6	CONDUCTOR REQUIREMENTS
03/10	1-7	TRAFFIC SIGNAL IMSA CABLE COLOR CODES
09/11	1-8 SHT 1	FRONT OF BARRIER JUNCTION BOX
09/11	1-8 SHT 2	BACK OF BARRIER JUNCTION BOX
09/11	1-9	TOP OF BARRIER JUNCTION BOX DETAILS
09/11	1-10	TOP OF BARRIER JUNCTION BOX DETAILS
10/13	1-11 SHT 1	HEAVY DUTY LIGHTING NO. 4 AND NO. 6 PULL BOX
10/13	1-11 SHT 2	HEAVY DUTY LIGHTING NO. 4 AND NO. 6 PULL BOX
03/15	1-11 SHT 3	HEAVY DUTY LIGHTING NO. 4 AND NO. 6 PULL BOX LID
03/15	1-12 SHT 1	PRECAST HEAVY DUTY LIGHTING NO. 4B AND NO. 6B PULL BOX
03/15	1-12 SHT 2	PRECAST HEAVY DUTY LIGHTING NO. 4B AND NO. 6B PULL BOX
	<b>T. S. 2</b>	<b>FOUNDATIONS</b>
03/10	2-1	FOUNDATION FOR TYPE II LOAD CENTER CABINET
03/10	2-2	FOUNDATION FOR TYPE IV LOAD CENTER CABINET
03/10	2-3	FOUNDATION FOR TYPE III CONTROL CABINET
03/10	2-4	FOUNDATION FOR TYPE IV AND V CONTROL CABINETS
03/10	2-5	FOUNDATION FOR TYPE 340 CONTROL CABINET
03/10	2-6	METER PEDESTAL CABINET FOUNDATION AND BASE
03/15	2-7	TRAFFIC SIGNAL UPS CABINET FOUNDATION DETAIL
	<b>T. S. 3</b>	<b>CABINETS</b>
12/12	3-0	NOTES FOR TYPE II AND IV LOAD CENTER CABINETS
03/10	3-1	TYPE II LOAD CENTER CABINET
03/10	3-2	TYPE IV LOAD CENTER CABINET
03/10	3-3	TYPE II OR IV LOAD CENTER CABINET WIRING DETAILS 240/480 3W W/DISCONNECT
03/10	3-4 SHT 1	PHOTO ELECTRIC CELL MOUNTING DETAILS
03/10	3-4 SHT 2	PHOTO ELECTRIC CELL MOUNTING DETAILS
03/10	3-5 SHT 1	TYPE I AND II METER PEDESTAL CABINET
12/12	3-5 SHT 2	METER PEDESTAL CABINET
03/10	3-6	TYPE III CONTROL CABINET
03/10	3-7	POLE MOUNTED TYPE III CONTROL CABINET
03/10	3-8 SHT 1	POLE MOUNT DETAILS FOR TYPE III CONTROL CABINET
03/10	3-8 SHT 2	POLE MOUNT DETAILS FOR TYPE III CONTROL CABINET
03/10	3-9 SHT 1	TYPE IV AND V CONTROL CABINET NOTES
03/10	3-9 SHT 2	TYPE IV CONTROL CABINET
03/10	3-9 SHT 3	TYPE V CONTROL CABINET
03/10	3-10	CABINET EXTENSION OR ELEVATOR BASE
03/10	3-11	CONTROL CABINET MOUNTED SERVICE ENCLOSURE
03/10	3-12 SHT 1	120/240 OR 240/480 VOLT, SINGLE PHASE UTILITY PULL SECTION AND SERVICE DISCONNECT DETAILS
03/10	3-12 SHT 2	120/240 OR 240/480 VOLT, SINGLE PHASE UTILITY PULL SECTION AND SERVICE DISCONNECT DETAILS
03/10	3-13 SHT 1	TRAFFIC SIGNALS AND LIGHTING MODEL 345 CABINET DETAILS
03/10	3-13 SHT 2	TRAFFIC SIGNALS AND LIGHTING MODEL 345 CABINET DETAILS
03/10	3-13 SHT 3	TRAFFIC SIGNALS AND LIGHTING MODEL 345 CABINET CAGE DETAILS

REVISION DATE	STANDARD NUMBER	SUBJECT:
	<b>T. S. 4</b>	<b>TRAFFIC SIGNALS AND LIGHTING DETAILS</b>
		<b>POLES AND POSTS</b>
10/13	4-1	TYPE "A" POLE
10/13	4-2	TYPE "E" POLE
10/13	4-3	TYPE "F" POLE
10/13	4-4	TYPE "G" POLE
10/13	4-5	ALUMINUM TYPE "G" POLE
10/13	4-6	ALUMINUM TYPE "H" POLE
10/13	4-7	ALUMINUM TYPE "I" POLE
10/13	4-8	TYPE "J" POLE
10/13	4-9	TYPE "K" POLE
10/13	4-10	TYPE "Q" POLE
10/13	4-11	TYPE "R" POLE
10/13	4-12	TYPE "S" POLE
10/13	4-13	ALUMINUM TYPE "S" POLE
10/13	4-14 SHT 1	TYPE "T" POLE
10/13	4-14 SHT 2	TYPE "S" AND "T" STEEL TWIN LUMINAIRE MOUNTING BRACKET AND EXTENSIONS
10/13	4-15	ALUMINUM TYPE "T" POLE
10/13	4-16	TYPE "U" POLE ELLIPTICAL BASE DETAILS
10/13	4-17 SHT 1	TYPE "U" POLE SQUARE BASE
10/13	4-17 SHT 2	TYPE "U" POLE ROUND POLE / SQUARE BASE
03/10	4-17 SHT 3	TYPE "U" POLE ROUND POLE / SQUARE BASE
10/13	4-17 SHT 4	TYPE "U" POLE ROUND POLE / SQUARE BASE
10/13	4-17 SHT 5	TYPE "U" POLE ROUND POLE / SQUARE BASE
10/13	4-17 SHT 6	TYPE "U" POLE ROUND POLE / SQUARE BASE
10/13	4-18	TYPE "V" POLE AND 60' OR 65' MAST ARM
10/13	4-19	TYPE "W" POLE AND 60' OR 65' MAST ARM
03/10	4-20	POLE HAND HOLE DETAIL
03/10	4-21	EQUIPMENT MOUNTING HEIGHT DETAILS
03/15	4-22	PEDESTRIAN PUSH BUTTON POST "TYPE PB POLE"
10/13	4-23	POLE FOUNDATION ANCHOR BOLTS
03/10	4-26	STEEL MAST ARM DETAILS LUMINAIRE AND SIGNAL ARMS TO 20'
03/10	4-27	ALUMINUM TRUSS ARM DETAILS TYPE G, H, AND I POLES
03/10	4-28	SIGNAL MAST ARM CONNECTION DETAIL TYPE J AND Q POLES
03/10	4-29	SIGNAL MAST ARM CONNECTION DETAIL TYPE K AND R POLES
03/10	4-30	MAST ARM CONNECTION DETAIL TYPE V AND W POLES
03/10	4-31	SIGNAL MAST ARM TENON DETAIL
12/12	4-32	TYPICAL HIGHWAY LIGHTING OFFSETS IN CUT AND FILL SECTIONS
	<b>T. S. 5</b>	<b>POLE BASES - SPECIAL</b>
03/15	5-0	TYPE 2 AND 3 CAST ALUMINUM BREAK-AWAY BASES
12/12	5-1	TYPE 2 CAST ALUMINUM BREAK-AWAY BASE
12/12	5-2	TYPE 3 CAST ALUMINUM BREAK-AWAY BASE
12/12	5-3	INSTALLATION DETAILS FOR POLE FOUNDATIONS WITH TYPE 2 AND 3 BREAK-AWAY BASES
	<b>T. S. 6</b>	<b>HIGHWAY TRAFFIC DATA DETECTORS</b>
03/10	6-1	TYPE C VEHICLE DETECTOR LOOPS FOR TRAFFIC COUNTERS
03/10	6-2 SHT 1	TYPE SA AND SB SPEED/VEHICLE CLASSIFICATION SYSTEMS
03/10	6-2 SHT 2	TYPE SA SPEED/VEHICLE CLASSIFICATION SYSTEMS
03/10	6-2 SHT 3	TYPE SB SPEED/VEHICLE CLASSIFICATION SYSTEMS
12/12	6-3	PIEZOELECTRIC WEIGHT SENSOR AND LOOP LANE LAYOUT
12/12	6-4 SHT 1	DETECTOR LOOPS AND PIEZOELECTRIC SENSOR DETAILS
12/12	6-4 SHT 2	DETECTOR LOOPS AND PIEZOELECTRIC SENSOR DETAILS
03/15	6-4 SHT 3	DETAIL A PIEZOELECTRIC SENSOR DETAILS
12/12	6-4 SHT 4	DETAIL B DETECTOR LOOP DETAILS
12/12	6-4 SHT 5	DETECTOR LOOPS AND PIEZOELECTRIC SENSOR DETAILS
03/10	6-5	MICROLOOPS FOR SPEED/VEHICLE CLASSIFICATION
03/10	6-6	QUARTZ PIEZOELECTRIC WEIGHT SENSOR AND LOOP LANE LAYOUT
03/10	6-7	TRAFFIC DATA COLLECTION CABINET INSTALLATION DETAILS
03/10	6-8	TYPE MPD CABINET POLE, BASE AND FOUNDATION INSTALLATION DETAILS

ADOT STANDARD DRAWINGS		
REVISION DATES and STANDARD NO.'s REVIEW		
TRAFFIC SIGNAL & LIGHTING STANDARDS	NAME Muhammad G. Saleque	DATE 01/24/2019
PROJECT NO. <b>040 CN 190 F0043 01C</b>	IC-1	OF 4
RECORD DRAWING DATA	FEDERAL AID NO. 040-C(222)T	REC. DWG. DATE OF

**ADOT STANDARD DRAWINGS**  
**TRAFFIC SIGNAL AND LIGHTING STANDARDS**  
(SHEET 2 OF 2)  
EFFECTIVE MAY 2015

No.1 | DESCRIPTION OF REVISION | REVISED STDS 7-1, 11-1, 11-2, 13-3, ADDED NEW STD 1-12, 3/15 | MADE BY | L. LOPEZ | DATE | 5/15  
No.2 | DESCRIPTION OF REVISION | REVISED TS 0-1 ON SHT1, UPDATED BORDER TITLE BLOCK, 01/12 | MADE BY | L. LOPEZ | DATE | 5/15

REVISION DATE	STANDARD NUMBER	SUBJECT: TRAFFIC SIGNALS AND LIGHTING DETAILS
	<b>T. S. 7</b>	<b>TRAFFIC SIGNAL DETECTORS</b>
03/10	7-1 SHT 1	LOOP DETECTOR LOCATION SAWCUT PATTERNS AND INSTALLATION DETAILS
03/10	7-1 SHT 2	SAW CUT AND CORING DETAILS
03/15	7-1 SHT 3	SAW CUT AND CORING DETAILS
03/10	7-1 SHT 4	TYPICAL DETECTOR LOOP LEAD-IN ROAD TO PULL BOX DETAIL
03/10	7-1 SHT 5	LOOP DETECTOR LOCATION AND INSTALLATION DETAILS
03/10	7-2	PRE-FORMED LOOP DETECTORS FOR RAMP METERING AND COUNTING
03/10	7-3	PRE-FORMED LOOP DETECTORS IN BRIDGE DECK
03/10	7-4	PRE-FORMED LOOP DETECTORS IN PCCP
03/10	7-5	TYPICAL PRE-FORMED LOOP DETECTOR STUB-OUT DETAIL
	<b>T. S. 8</b>	<b>SIGNAL ASSEMBLIES</b>
01/12	8-0	TRAFFIC SIGNAL VEHICLE FACE ASSEMBLY REQUIREMENTS AND DETAILS
01/12	8-1	VEHICLE TRAFFIC SIGNAL FACE ASSEMBLY
01/12	8-2	VEHICLE TRAFFIC SIGNAL FACE ASSEMBLY
01/12	8-3	VEHICLE TRAFFIC SIGNAL FACE ASSEMBLY
10/13	8-4 SHT 1	12-INCH VEHICLE TRAFFIC SIGNAL HOUSING/SECTION
01/12	8-4 SHT 2	12-INCH VEHICLE TRAFFIC SIGNAL HOUSING/SECTION NOTES
01/12	8-4 SHT 3	VEHICLE TRAFFIC SIGNAL HOUSING/SECTION DETAILS
03/10	8-4 SHT 4	VISORS FOR 8-INCH AND 12-INCH VEHICLE TRAFFIC SIGNAL FACE ASSEMBLIES
01/12	8-5	FLASHING BEACON SIGNAL FACE ASSEMBLY
01/12	8-6	LED LAMP FOR PROGRAMMED VISIBILITY SIGNAL
01/12	8-7 SHT 1	PEDESTRIAN SIGNAL ASSEMBLY REQUIREMENTS AND DETAILS
01/12	8-7 SHT 2	PEDESTRIAN SIGNAL ASSEMBLY HOUSING
01/12	8-7 SHT 3	PEDESTRIAN SIGNAL ASSEMBLY VISOR
	<b>T. S. 9</b>	<b>MOUNTING ASSEMBLIES - SIGNAL</b>
03/10	9-0 SHT 1	MOUNTING ASSEMBLY GENERAL REQUIREMENTS
03/10	9-0 SHT 2	MOUNTING ASSEMBLY GENERAL REQUIREMENTS
03/10	9-1	TYPE I AND II MOUNTING ASSEMBLIES
03/10	9-2	TYPE III AND IV MOUNTING ASSEMBLIES
10/13	9-3	TYPE V MOUNTING ASSEMBLY
03/10	9-4	TYPE VI MOUNTING ASSEMBLY
03/10	9-5	TYPE VII MOUNTING ASSEMBLY
03/10	9-6	TYPE VIII MOUNTING ASSEMBLY
03/10	9-7	TYPE IX MOUNTING ASSEMBLY
03/10	9-8	TYPE X MOUNTING ASSEMBLY
03/10	9-9	TYPE XI MOUNTING ASSEMBLY
	<b>T. S. 10</b>	<b>MOUNTING CASTINGS - SIGNAL</b>
03/10	10-1	MISCELLANEOUS SIGNAL MOUNTING PARTS
03/10	10-2	MAST ARM SIGNAL MOUNTING PLUMBIZER
03/10	10-3	SIGNAL MOUNTING POLE PLATE DETAILS
03/10	10-4	TERMINAL COMPARTMENT, SIDE MOUNTED AND POLE TOP MOUNTED
	<b>T. S. 11</b>	<b>PEDESTRIAN DETAILS</b>
03/15	11-1	TYPE I PEDESTRIAN PUSH BUTTON HOUSING ASSEMBLY
03/15	11-2	CAN STYLE PEDESTRIAN PUSH BUTTON
	<b>T. S. 12</b>	<b>FLASHERS</b>
03/10	12-1 SHT 1	ADVANCE WARNING FLASHER POLE DETAIL
03/10	12-1 SHT 2	ADVANCE WARNING FLASHER POLE SIGN MOUNTING DETAILS
03/10	12-1 SHT 3	ADVANCE WARNING FLASHER POLE DETAIL
	<b>T. S. 13</b>	<b>ILLUMINATION - SIGNS</b>
03/10	13-1	SIGN LIGHTING DETAIL FOR TUBULAR SIGN STRUCTURES
03/10	13-2	FUSE PANEL DETAILS FOR SIGN LIGHTING
03/15	13-3	PLACEMENT OF LIGHTING FIXTURES FOR OVERHEAD SIGNS
	<b>T. S. 14</b>	<b>ILLUMINATION - SPECIAL</b>
03/10	14-1 SHT 1	HIGH PRESSURE SODIUM (HPS) LAMPS
03/10	14-1 SHT 2	HIGH PRESSURE SODIUM (HPS) LAMPS
03/10	14-1 SHT 3	HIGH PRESSURE SODIUM (HPS) LAMPS
03/10	14-2	PEDESTRIAN BRIDGE LIGHTING DETAILS

REVISION DATE	STANDARD NUMBER	SUBJECT: TRAFFIC SIGNALS AND LIGHTING DETAILS
	<b>T. S. 15</b>	<b>SPAN WIRE SIGNALS AND LIGHTING</b>
01/12	15-0 SHT 1	GENERAL NOTES
01/12	15-0 SHT 2	GENERAL NOTES
01/12	15-0 SHT 3	GENERAL NOTES
01/12	15-1 SHT 1	STEEL POLE TYPICAL DETAILS
01/12	15-1 SHT 2	STEEL POLE FOUNDATION DETAILS
01/12	15-1 SHT 3	STEEL POLE ATTACHMENT DETAILS
01/12	15-1 SHT 4	WOOD POLE TYPICAL DETAILS
01/12	15-1 SHT 5	WOOD POLE TYPICAL DETAILS
01/12	15-1 SHT 6	TYPICAL DETAILS
01/12	15-2	HANGER AND BALANCE ADJUSTER TYPICAL DETAILS
01/12	15-3 SHT 1	SIGNAL ASSEMBLY DETAILS
01/12	15-3 SHT 2	CONDUCTOR ENTRANCE HEADS TYPE A, B AND C
01/12	15-3 SHT 3	ALUMINUM PIPE EXTENSION AND TYPICAL DETAILS
01/12	15-4 SHT 1	ADJUSTABLE SIGN HANGER TYPICAL DETAILS
01/12	15-4 SHT 2	ADJUSTABLE SIGN HANGER TYPICAL DETAILS
01/12	15-4 SHT 3	ADJUSTABLE SIGN HANGER TYPICAL DETAILS
01/12	15-5	ADJUSTABLE HANGER TOP AND EXTENSION DETAILS
01/12	15-6	SIGNAL TETHER CLAMP TYPICAL DETAILS
01/12	15-7	POLE BAND TYPICAL DETAILS
01/12	15-8	WEATHERHEAD TYPICAL DETAILS

ADOT STANDARD DRAWINGS		
REVISION DATES AND STANDARD NO.'s REVIEW		
TRAFFIC SIGNAL AND LIGHTING STANDARDS	NAME Muhammad G. Saleque	DATE 01/24/2019
PROJECT NO. <b>040 CN 190 F0043 01C</b>	REVISION <b>1C-2</b> OF <b>4</b>	
RECORD DRAWING DATA	FEDERAL AID NO. <b>040-C(222)T</b>	REC. DWG. DATE OF

F.H.W.A. REGION	STATE	PROJECT NO.	SHEET NO.	TOTAL SHEETS	RECORD DRAWING
9	ARIZ.	040-C(222)T	2	4	

040 CN 190

REFERENCES

- I-40-3(22)
- I-40-3(23)
- IR-40-3(55)
- IR-40-3(60)
- IR-40-3(62)
- IR-40-3(65)
- IM-40-3(78)
- IM-040-D(019)A
- IM-040-C(204)A

POSTED SPEED		
BMP	EMP	SPEED
191.00	193.17	75 MPH
193.17	195.00	65 MPH

DESIGN DATA			
BMP	EMP	2019 AADT	2029 AADT
190.52	191.67	21,329	22,902
191.67	192.55	19,410	20,657
192.55	195.44	22,501	24,317

MIDPOINT OF PROJECT

Central Zone  
 State Plane Coordinates  
 X= 587,097  
 Y= 1,524,124

INDEX OF SHEETS

Sheet No.	Sheet Type
1	Face Sheet
1A, 1B, 1C	ADOT Standard Drawings
2-4	Design Sheets

GENERAL NOTES

The roadway plans have been designed utilizing the 2012 Construction Standard Drawings (C-Series) and current revisions. Refer to the 1A sheet for a listing of current revision dates.

The project roadway shall be striped by the contractor in accordance with the current edition of the Signing and Marking Standard Drawings (M&S-Series).

Pavement lift thickness is nominal.

The contractor shall comply with all current Blue Stake laws and Section 107.15 of the Specifications.

New Right of Way and easements are not required.

The average project elevation is 7,100'.

Stationing may not be exact. The contractor and engineer shall jointly field review and mark all locations prior to commencing with any other work.

Clean all AC and all debris from bridge deck joints. Cost of cleaning is incidental to cost of AC milling. New AC shall be tapered to joints. Do not place AC over deck joints.

LENGTH OF PROJECT

I-40 WESTBOUND

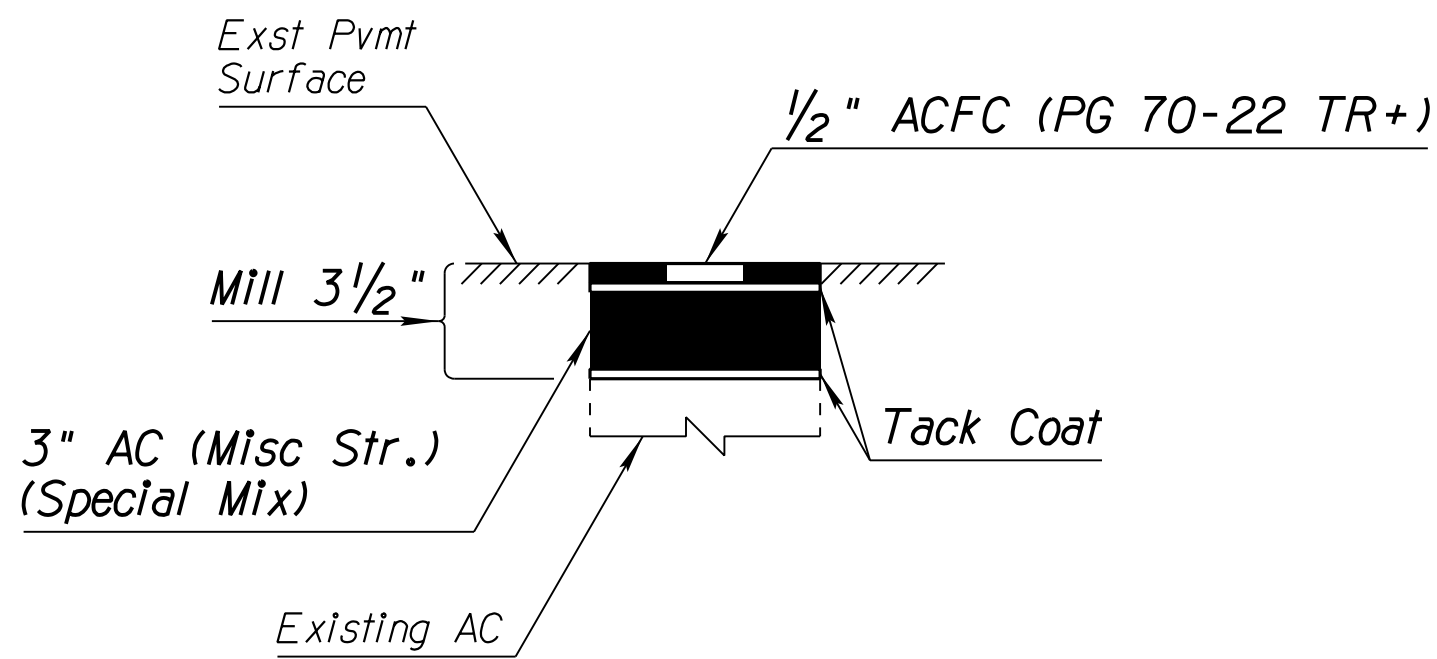
Sta 1930 + 96.20	to 1965 + 95.20	= 3499.00'	
Sta 1965 + 95.20	to 1975 + 25.80	= 930.60'	Paving Exception
Sta 1975 + 25.80	to 1976 + 25.80	= 100.00'	
Sta 1976 + 25.80	to 1977 + 89.80	= 164.00'	Paving Exception
Sta 1977 + 89.80	to 1978 + 89.80	= 100.00'	
Sta 1978 + 89.80	to 1980 + 43.80	= 154.00'	Paving Exception
Sta 1980 + 43.80	to 1981 + 53.80	= 110.00'	
Sta 1981 + 53.80	to 1985 + 81.80	= 428.00'	Paving Exception
Sta 1985 + 81.80	to 1986 + 81.80	= 100.00'	
Sta 1986 + 81.80	to 2015 + 06.88	= 2,825.08'	Paving Exception
Sta 2015 + 06.88	to 2019 + 97.13	= 490.25'	
Sta 2019 + 97.13	to 2033 + 33.80	= 1,336.67'	Paving Exception
Sta 2033 + 33.80	to 2034 + 33.80	= 100.00'	
Sta 2034 + 33.80	to 2043 + 13.80	= 880.00'	Paving Exception
Sta 2043 + 13.80	to 2044 + 89.80	= 176.00'	
Sta 2044 + 89.80	to 2065 + 75.80	= 2,086.00'	Paving Exception
Sta 2065 + 75.80	to 2071 + 29.80	= 554.00'	
Sta 2071 + 29.80	to 2075 + 57.80	= 428.00'	Paving Exception
Sta 2075 + 57.80	to 2076 + 57.80	= 100.00'	
Sta 2076 + 57.80	to 2133 + 65.80	= 5,708.00'	Paving Exception
Sta 2133 + 65.80	to 2134 + 65.80	= 100.00'	
Sta 2134 + 65.80	to 2137 + 73.80	= 308.00'	Paving Exception
Sta 2137 + 73.80	to 2139 + 93.80	= 220.00'	

Net Length = 5,649.25'  
 Gross Length = 20,897.60' - 3.96 Miles  
 MP 190.94 to 194.90

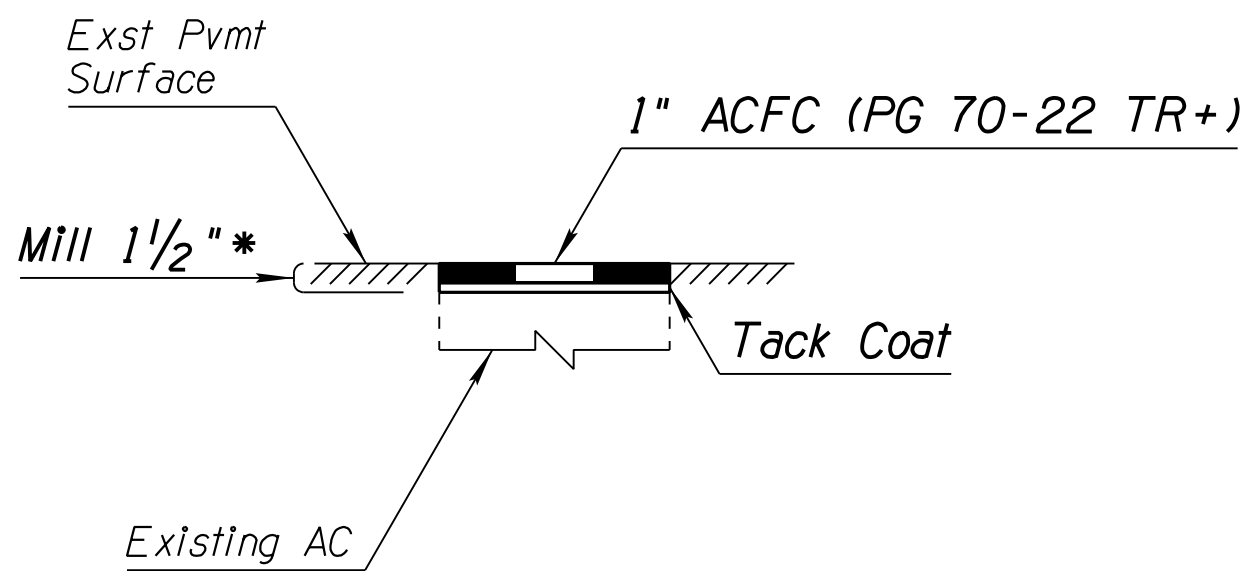
I-40 EASTBOUND

Sta 1929 + 79.82	to 1938 + 86.99	Bk = 907.17'	
Sta 1939 + 27.26	Ahd to 1970 + 53.09	= 3,125.83'	
Sta 1970 + 53.09	to 2015 + 06.88	= 4,453.79'	Paving Exception
Sta 2015 + 06.88	to 2019 + 97.13	= 490.25'	
Sta 2019 + 97.13	to 2045 + 00.00	= 2,502.87'	Paving Exception
Sta 2045 + 00.00	to 2051 + 25.00	= 625.00'	
Sta 2051 + 25.00	to 2052 + 92.00	= 167.00'	Paving Exception
Sta 2052 + 92.00	to 2054 + 42.00	= 150.00'	
Sta 2054 + 42.00	to 2058 + 20.00	= 378.00'	Paving Exception
Sta 2058 + 20.00	to 2064 + 74.00	= 654.00'	
Sta 2064 + 74.00	to 2084 + 60.00	= 1,986.00'	Paving Exception
Sta 2084 + 60.00	to 2093 + 57.00	= 897.00'	
Sta 2093 + 57.00	to 2097 + 80.00	= 423.00'	Paving Exception
Sta 2097 + 80.00	to 2116 + 51.00	= 1,871.00'	
Sta 2116 + 51.00	to 2124 + 20.00	= 769.00'	Paving Exception
Sta 2124 + 20.00	to 2124 + 62.00	= 42.00'	
Sta 2124 + 62.00	to 2145 + 32.00	= 2,070.00'	Paving Exception
Sta 2145 + 32.00	to 2146 + 32.00	= 100.00'	

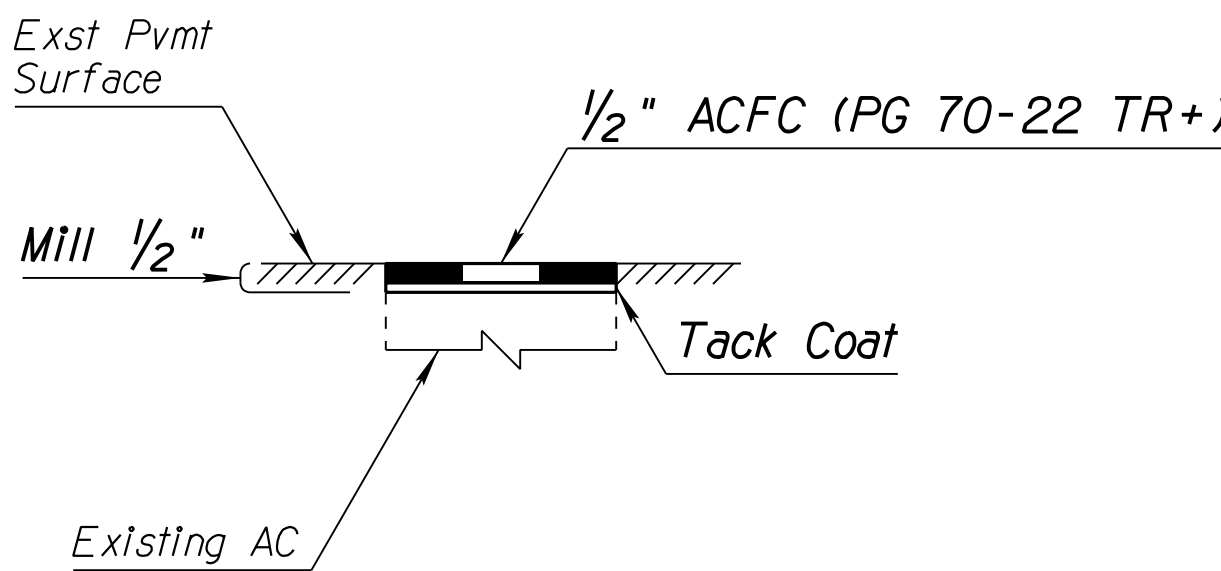
Net Length = 8,862.25'  
 Gross Length = 21,611.91' - 4.09 Miles  
 MP 190.92 to 195.01



Travel Lanes  
 Total Thickness = 3 1/2"  
 SECTION NO. 1



Bridge Deck  
 Total Thickness = 1"  
 SECTION NO. 2



Rfordan Approach Slab  
 Total Thickness = 1/2"  
 SECTION NO. 3

PAVEMENT STRUCTURAL SECTIONS

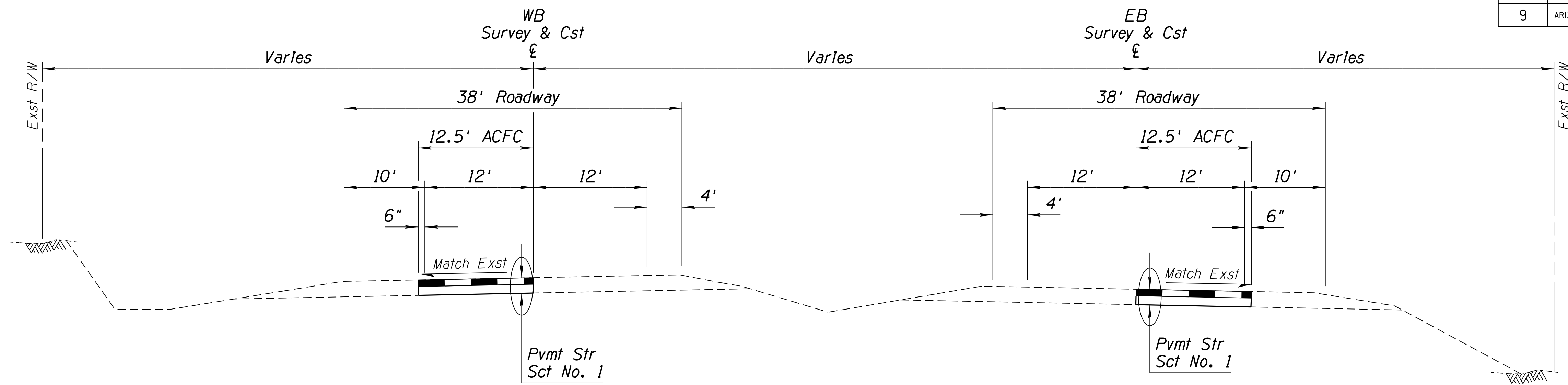
LOOP DETECTOR / CLASSIFIER SYSTEMS		
Std T.S. 6-1 Type C = Traffic Counter		
Std T.S. 6-2 Type SA or SB = Speed and Vehicle Class		
Systems	Type	Approximate Location
1	SA	EB Sta 1986+93 / MP 192.00
1	SA	WB Sta 1986+93 / MP 192.00
1	C	EB Sta 2095+17 / MP 194.05
1	C	WB Sta 2097+81 / MP 194.10

\*After AC removal repair bridge deck if necessary and apply Penetrating Deck Sealer before replacing AC. See Special Provisions.

DESIGN	BN, AL, EW	DATE	01/19	ARIZONA DEPARTMENT OF TRANSPORTATION INFRASTRUCTURE DELIVERY AND OPERATIONS DIVISION ROADWAY DESIGN SECTION	
DRAWN	BN, AL	DATE	01/19		
CHECKED	DS	DATE	01/19		
TEAM LEADER	EW	DATE	01/19		
ROUTE			1-40	LOCATION	
TRACS NO.			F0043 OIC	A-1 MOUNTAIN RD TO I-17	
				040-C(222)T	
				SHEET 1 OF 3	
				OF	

F.H.W.A. REGION	STATE	PROJECT NO.	SHEET NO.	TOTAL SHEETS	RECORD DRAWING
9	ARIZ.	040-C(222)T	3	4	

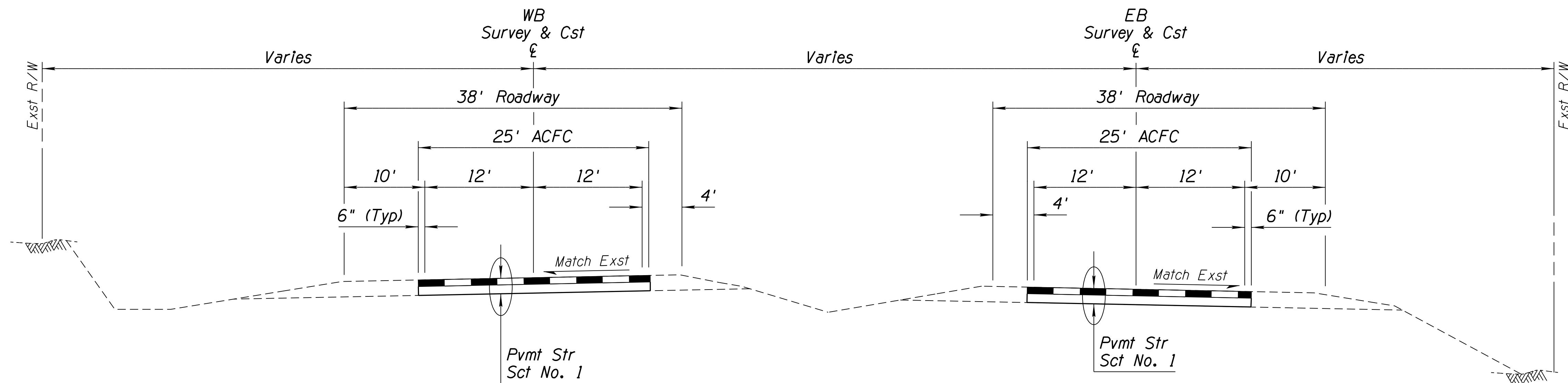
040 CN 190



Sta 1934 + 16.20 to 1965 + 95.20  
 Sta 1975 + 25.80 to 1976 + 25.80  
 Sta 1977 + 89.80 to 1978 + 89.80  
 Sta 1980 + 43.80 to 1981 + 53.80  
 Sta 1985 + 81.80 to 1986 + 81.80  
 Sta 2033 + 33.80 to 2034 + 33.80  
 Sta 2043 + 13.80 to 2044 + 89.80  
 Sta 2065 + 75.80 to 2071 + 29.80  
 Sta 2075 + 57.80 to 2076 + 57.80  
 Sta 2133 + 65.80 to 2134 + 65.80  
 Sta 2137 + 73.80 to 2139 + 93.80

**TYPICAL SECTION  
I-40 MAINLINE**

Sta 1932 + 84.82 to 1938 + 86.99 Bk  
 Sta 1939 + 27.26 Ahd to 1970 + 53.09  
 Sta 2045 + 00.00 to 2051 + 25.00  
 Sta 2052 + 92.00 to 2054 + 42.00  
 Sta 2058 + 20.00 to 2064 + 74.00  
 Sta 2084 + 60.00 to 2093 + 57.00  
 Sta 2097 + 80.00 to 2116 + 51.00  
 Sta 2124 + 20.00 to 2124 + 62.00  
 Sta 2145 + 32.00 to 2146 + 32.00



Sta 1931 + 11.20 to 1934 + 16.20  
 Sta 2015 + 06.88 to 2016 + 56.88  
 Sta 2018 + 47.13 to 2019 + 97.13

**TYPICAL SECTION  
I-40 MAINLINE**

Sta 1929 + 79.82 to 1932 + 84.82  
 Sta 2015 + 06.88 to 2016 + 56.88  
 Sta 2018 + 47.13 to 2019 + 97.13

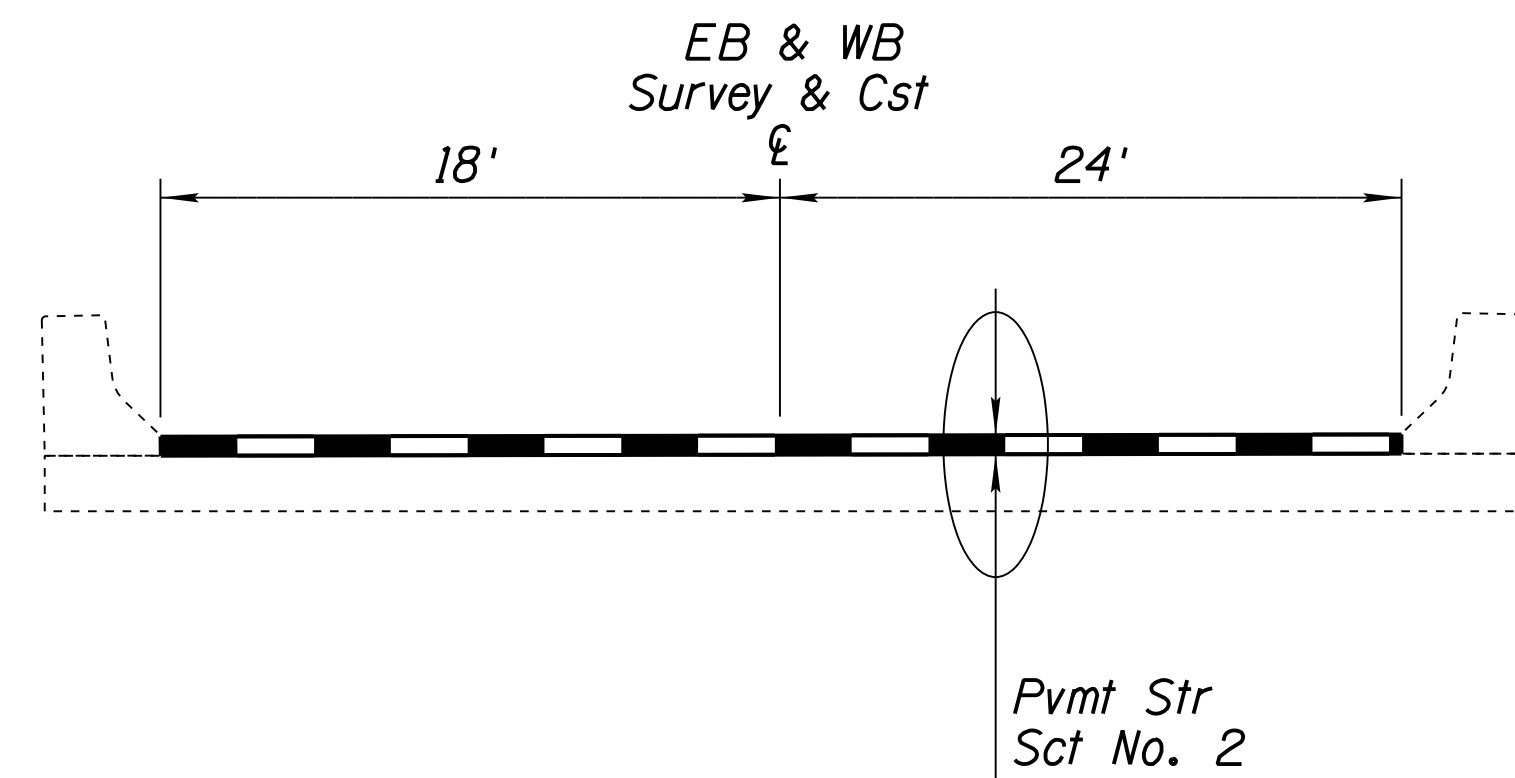
SURVEY NO. FINISHED PLANS REVISIONS LOCATION DATE

DESIGN	BN, AL, EW	01/19	ARIZONA DEPARTMENT OF TRANSPORTATION INFRASTRUCTURE DELIVERY AND OPERATIONS DIVISION <b>ROADWAY DESIGN SECTION</b>	
DRAWN	BN, AL	01/19		
CHECKED	DS	01/19		
TEAM LEADER	EW	01/19		
DESIGN SHEET				
ROUTE	I-40		LOCATION	A-1 MOUNTAIN RD TO I-17
TRACS NO. F0043 OIC			040-C(222)T	
			SHEET 2 OF 3	
			OF	



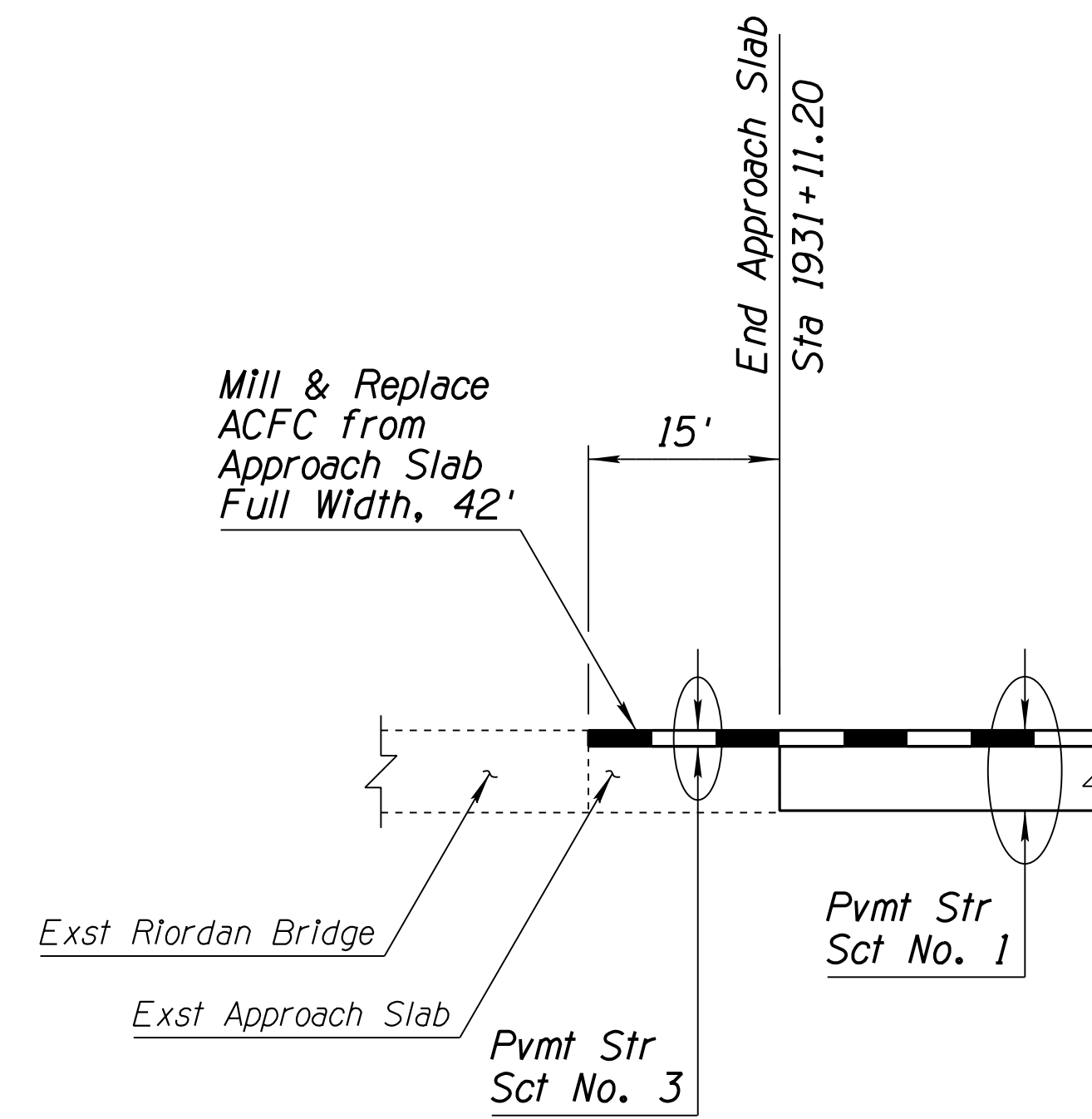
F.H.W.A. REGION	STATE	PROJECT NO.	SHEET NO.	TOTAL SHEETS	RECORD DRAWING
9	ARIZ.	040-C(222)T	4	4	

040 CN 190

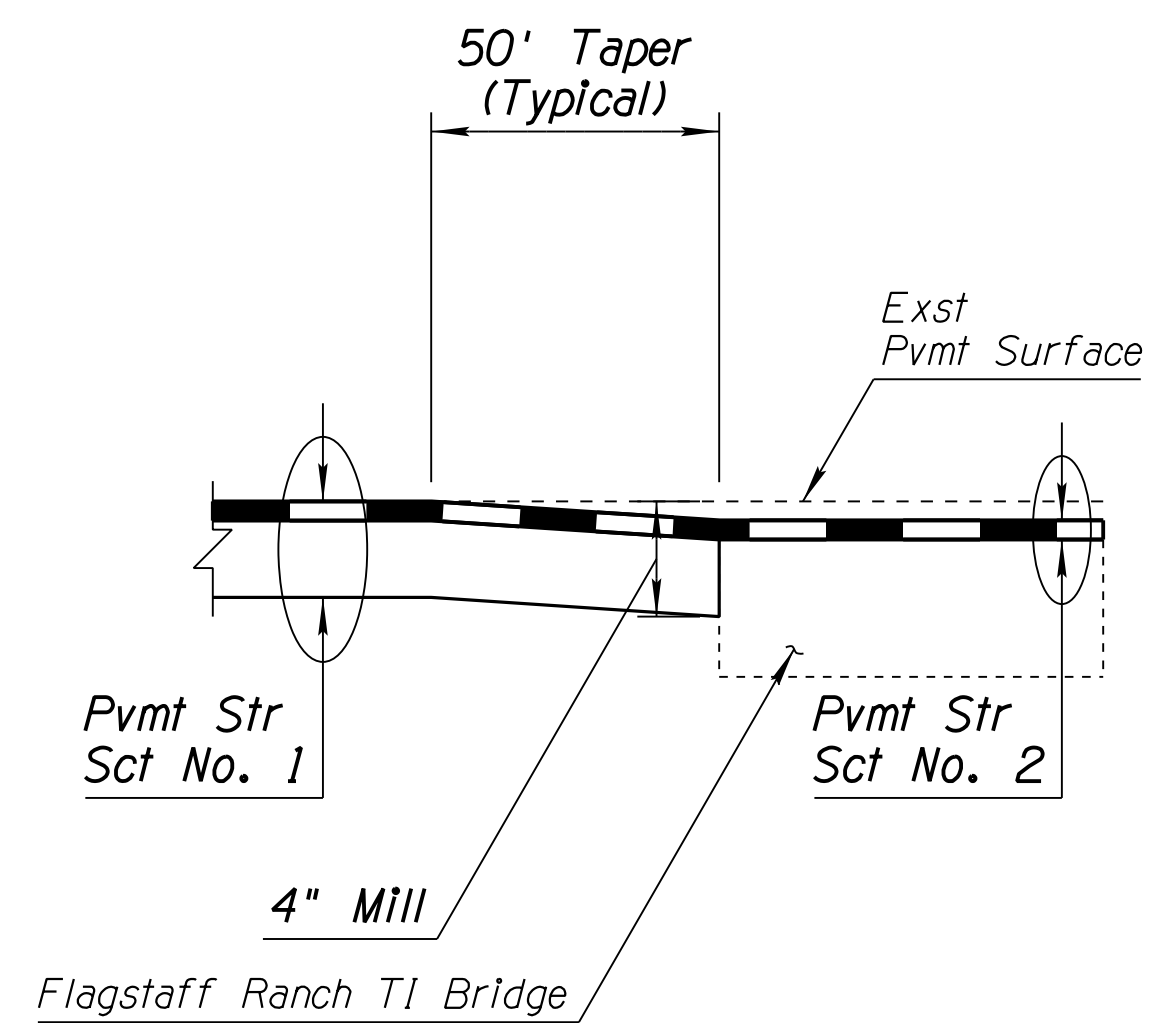


TYPICAL SECTION  
BRIDGE & APPROACH SLAB

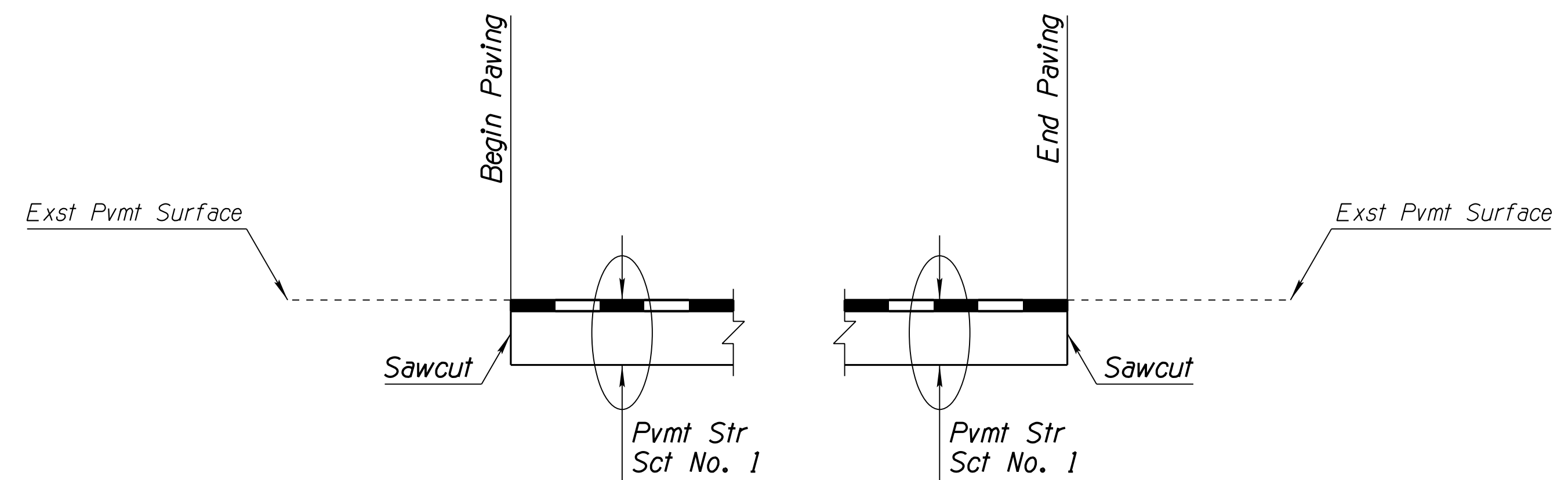
Flagstaff Ranch TI Bridge EB Sta 2016+56.88 to 2018+47.13  
 Flagstaff Ranch TI Bridge WB Sta 2016+56.88 to 2018+47.13



PAVEMENT TREATMENT AT RIORDAN BRIDGE WB



PAVEMENT TREATMENT AT  
FLAGSTAFF RANCH TI BRIDGE EB & WB



PAVEMENT TREATMENT AT BEGIN/END PAVING

DESIGN	NAME	DATE	ARIZONA DEPARTMENT OF TRANSPORTATION INFRASTRUCTURE DELIVERY AND OPERATIONS DIVISION ROADWAY DESIGN SECTION		
DRAWN	BN, AL, EW	01/19			
CHECKED	DS	01/19			
TEAM LEADER	EW	01/19			
DESIGN SHEET			SHEET 3 OF 3		
ROUTE	LOCATION		A-1 MOUNTAIN RD TO I-17		
TRACS NO. F0043 OIC			040-C(222)T		

normel.tb1